

# THYRISTOR MODULE

## PK(PD,PE,KK)25HB

UL:E76102(M)

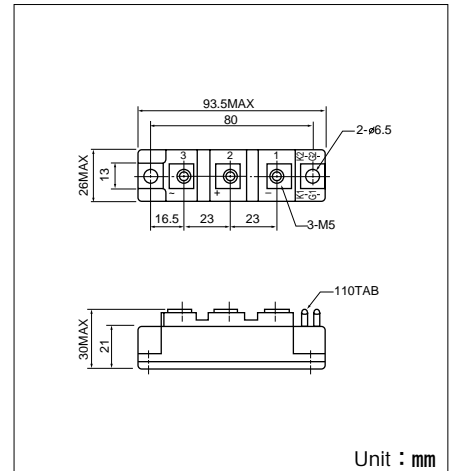
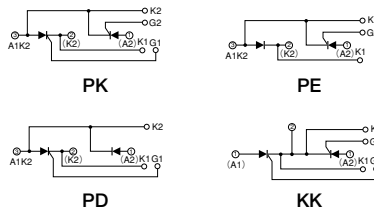
Power Thyristor/Diode Module **PK25HB** series are designed for various rectifier circuits and power controls. For your circuit application, following internal connections and wide voltage ratings up to 1,600V are available, and electrically isolated mounting base make your mechanical design easy.

- $I_{T(AV)}$  25A,  $I_{T(RMS)}$  39A,  $I_{TSM}$  500A
- $di/dt$  100 A/ $\mu$ s
- $dv/dt$  500V/ $\mu$ s

### (Applications)

Various rectifiers  
AC/DC motor drives  
Heater controls  
Light dimmers  
Static switches

### Internal Configurations



### Maximum Ratings

| Symbol    | Item                                  | Ratings                |                        |                        |                        | Unit |
|-----------|---------------------------------------|------------------------|------------------------|------------------------|------------------------|------|
|           |                                       | PK25HB120<br>KK25HB120 | PD25HB120<br>PE25HB120 | PK25HB160<br>KK25HB160 | PD25HB160<br>PE25HB160 |      |
| $V_{RRM}$ | * Repetitive Peak Reverse Voltage     |                        | 1200                   |                        | 1600                   | V    |
| $V_{RSM}$ | * Non-Repetitive Peak Reverse Voltage |                        | 1350                   |                        | 1700                   | V    |
| $V_{DRM}$ | Repetitive Peak Off-State Voltage     |                        | 1200                   |                        | 1600                   | V    |

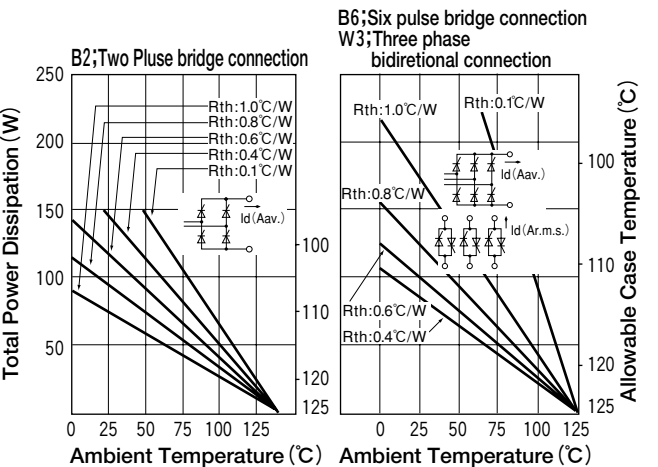
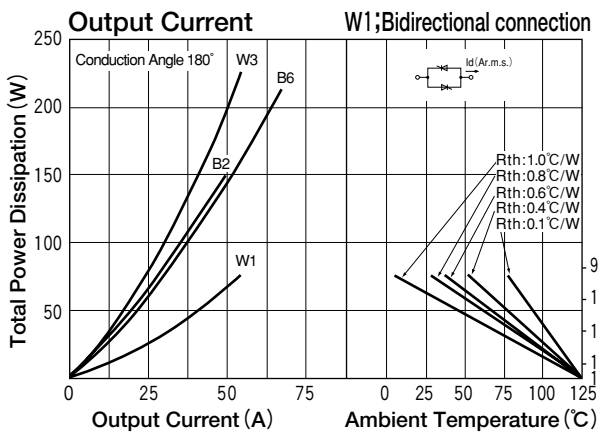
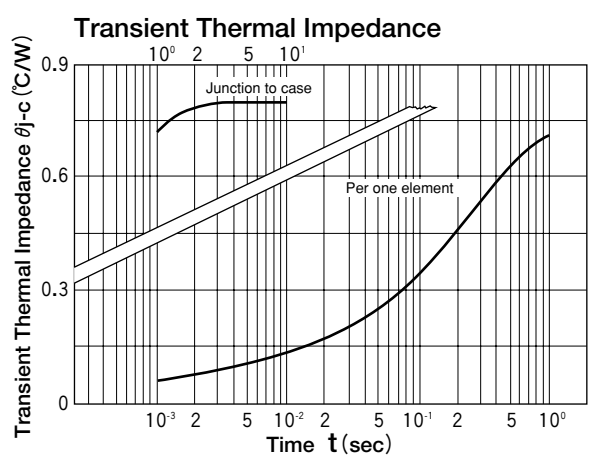
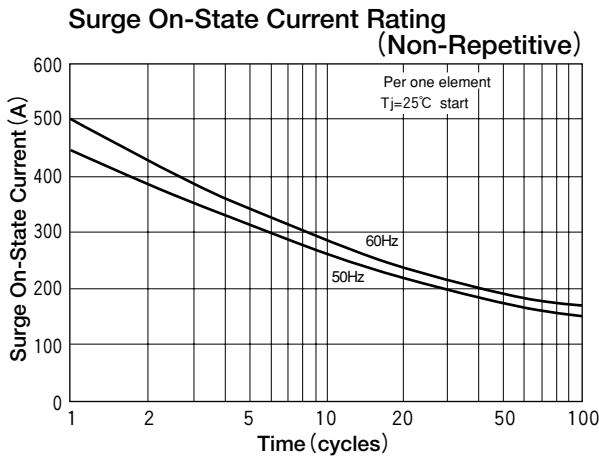
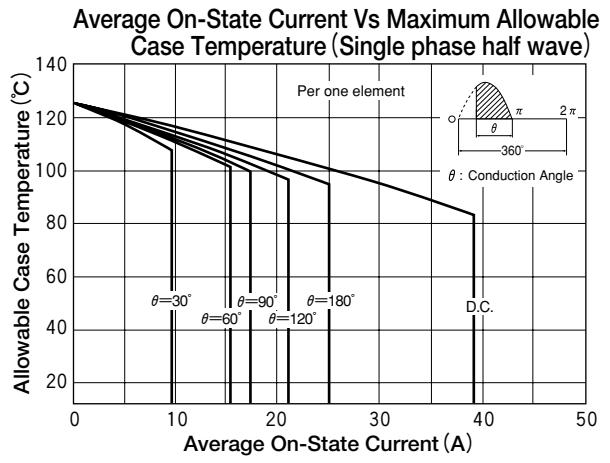
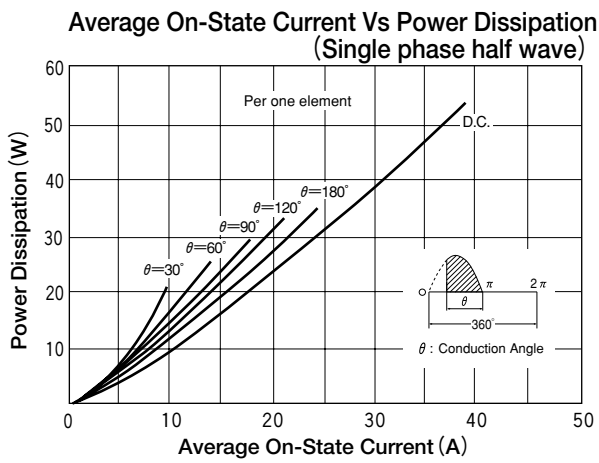
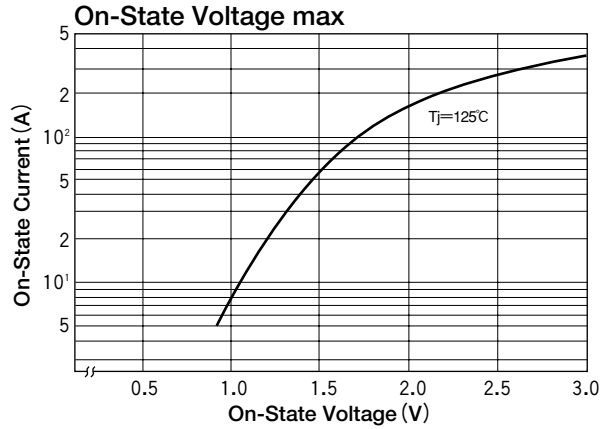
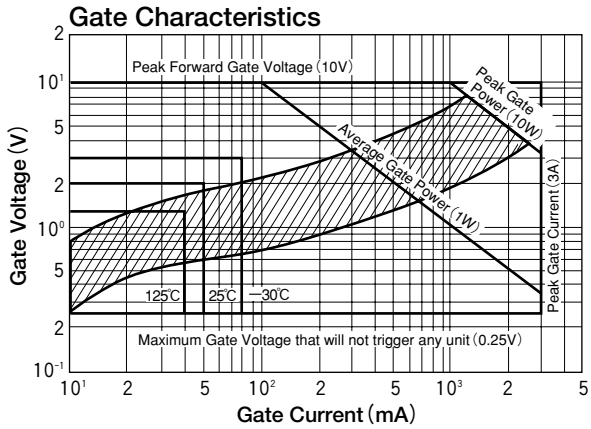
| Symbol       | Item                                      | Conditions   | Ratings                           | Unit             |                 |
|--------------|---|--|-----------------------------------|------------------|-----------------|
| $I_{T(AV)}$  | * Average On-State Current                | Single phase, half wave, 180° conduction, $T_c : 94^\circ\text{C}$                                 | 25                                | A                |                 |
| $I_{T(RMS)}$ | * R.M.S. On-State Current                 | Single phase, half wave, 180° conduction, $T_c : 94^\circ\text{C}$                                 | 39                                | A                |                 |
| $I_{TSM}$    | * Surge On-State Current                  | 1/2 cycle, 50Hz/60Hz, peak Value, non-repetitive   | 450/500                           | A                |                 |
| $I^2t$       | * $I^2t$                                  | Value for one cycle of surge current   | 1000                              | A <sup>2</sup> S |                 |
| $P_{GM}$     | Peak Gate Power Dissipation               |  | 10                                | W                |                 |
| $P_{G(AV)}$  | Average Gate Power Dissipation            |  | 1                                 | W                |                 |
| $I_{FGM}$    | Peak Gate Current                         |  | 3                                 | A                |                 |
| $V_{FGM}$    | Peak Gate Voltage (Forward)               |  | 10                                | V                |                 |
| $V_{RGM}$    | Peak Gate Voltage (Reverse)               |  | 5                                 | V                |                 |
| $di/dt$      | Critical Rate of Rise of On-State Current | $I_G=100\text{mA}$ , $T_j=25^\circ\text{C}$ , $V_D=1/2V_{DRM}$ , $dI_G/dt=0.1\text{A}/\mu\text{s}$ | 100                               | A/ $\mu$ s       |                 |
| $V_{ISO}$    | * Isolation Breakdown Voltage (R.M.S.)    | A.C. 1minute   | 2500                              | V                |                 |
| $T_j$        | * Operating Junction Temperature          |  | -40 to +125                       | °C               |                 |
| $T_{stg}$    | * Storage Temperature                     |  | -40 to +125                       | °C               |                 |
|              | Mounting Torque                           | Mounting (M6)  | Recommended Value 2.5-3.9 (25-40) | 4.7 (48)         | N·m<br>(kgf·cm) |
|              |   | Terminal (M5)  | Recommended Value 1.5-2.5 (15-25) | 2.7 (28)         |                 |
|              | Mass                                      |  |                                   | 170              | g               |

### Electrical Characteristics

| Symbol          | Item   | Conditions  | Ratings | Unit       |
|-----------------|--|---|---------|------------|
| $I_{DRM}$       | Repetitive Peak Off-State Current, max.          | at $V_{DRM}$ , single phase, half wave, $T_j=125^\circ\text{C}$   | 4       | mA         |
| $I_{RRM}$       | * Repetitive Peak Reverse Current, max.          | at $V_{DRM}$ , single phase, half wave, $T_j=125^\circ\text{C}$   | 4       | mA         |
| $V_{TM}$        | * Peak On-State Voltage, max.                    | On-State Current 75A, $T_j=125^\circ\text{C}$ Inst. measurement   | 1.60    | V          |
| $I_{GT}/V_{GT}$ | Gate Trigger Current/Voltage, max.               | $T_j=25^\circ\text{C}$ , $I_T=1\text{A}$ , $V_D=6\text{V}$  | 50/2    | mA/V       |
| $V_{GD}$        | Non-Trigger Gate, Voltage, min.                  | $T_j=125^\circ\text{C}$ , $V_D=1/2V_{DRM}$  | 0.25    | V          |
| $t_{gt}$        | Turn On Time, max.                               | $I_T=25\text{A}$ , $I_G=100\text{mA}$ , $T_j=25^\circ\text{C}$ , $V_D=1/2V_{DRM}$ , $dI_G/dt=0.1\text{A}/\mu\text{s}$ | 10      | $\mu$ s    |
| $dv/dt$         | Critical Rate of Rise of Off-State Voltage, min. | $T_j=125^\circ\text{C}$ , $V_D=2/3V_{DRM}$ , Exponential wave.  | 500     | V/ $\mu$ s |
| $I_H$           | Holding Current, typ.                            | $T_j=25^\circ\text{C}$  | 50      | mA         |
| $I_L$           | Latching Current, typ.                           | $T_j=25^\circ\text{C}$  | 100     | mA         |
| $R_{th(j-c)}$   | * Thermal Impedance, max.                        | Junction to case  | 0.80    | °C/W       |

\*mark : Thyristor and Diode part. No mark : Thyristor part

# PK(PD,PE,KK)25HB



This datasheet has been download from:

[www.datasheetcatalog.com](http://www.datasheetcatalog.com)

Datasheets for electronics components.